

# Lumon 6 and 6T Products



[www.lumon.com](http://www.lumon.com)

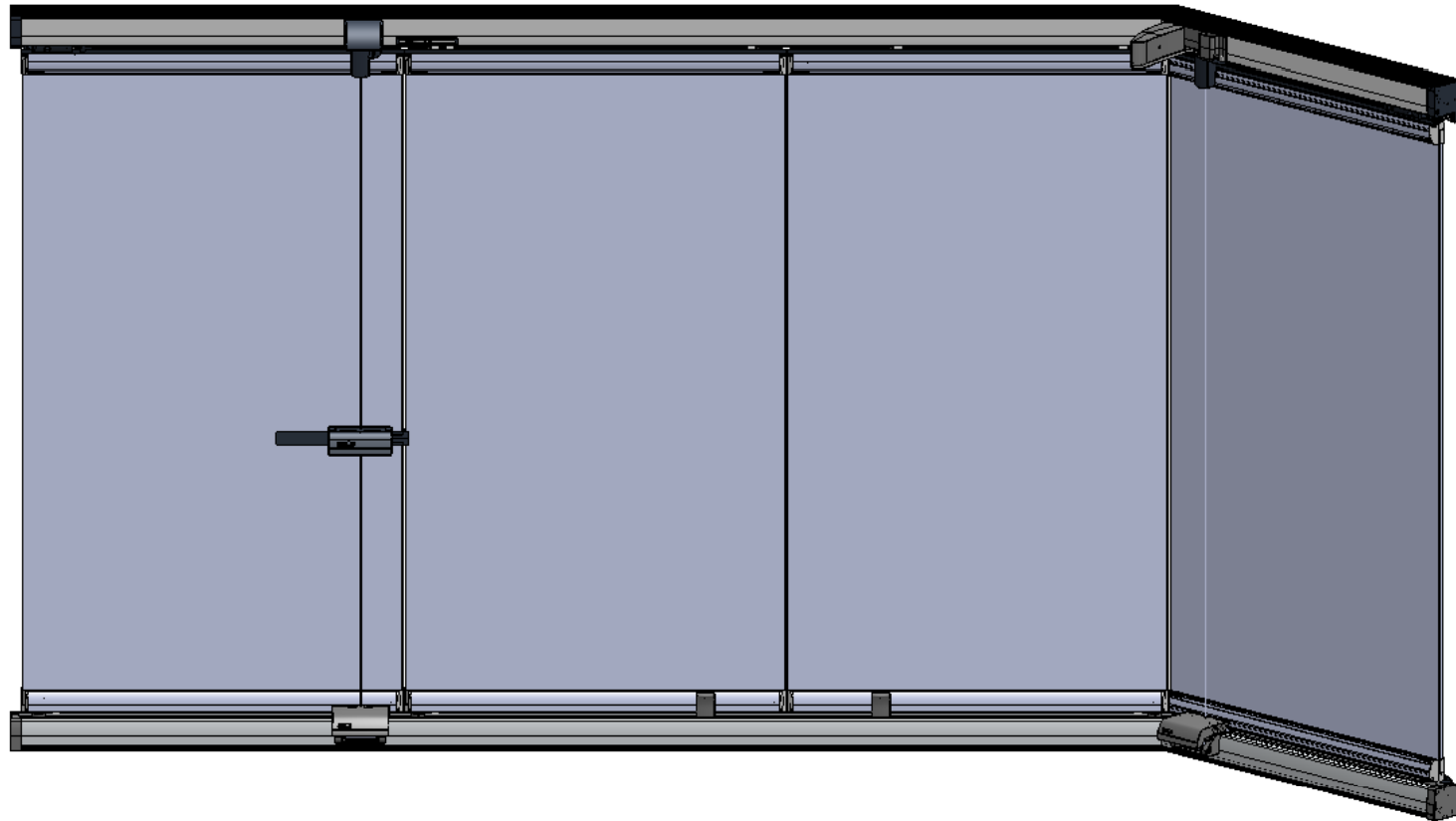
## Lumon 6

- Balcony glazing version for demanding conditions on balustrade or up to 3 m
- Opening from inside of the balcony
- Corner bypass possible also for sides with one glass pane
- Dislocation of the rail guides equivalent to the space between hinges in the glass bundle
- Note! The glazing bead slides over the profile edge

**NOTE: Handle like Lumon 5**



[www.lumon.com](http://www.lumon.com)

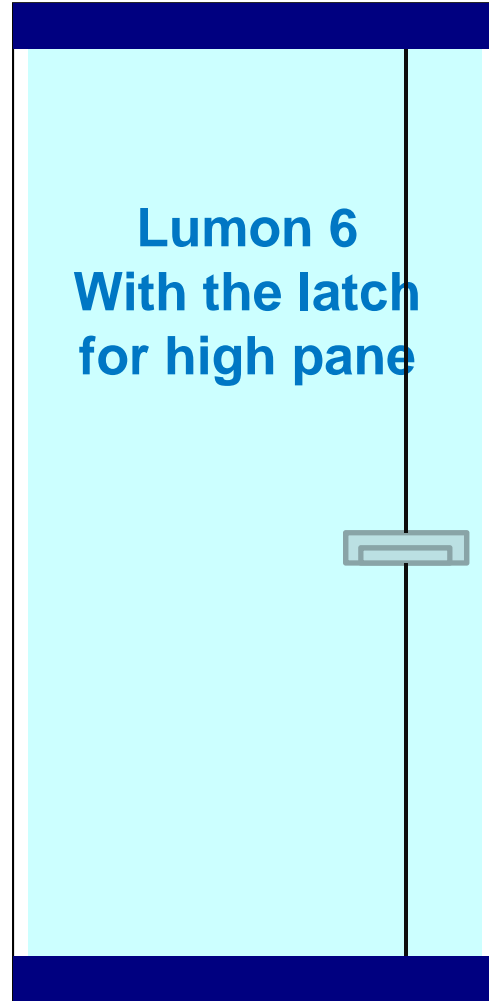
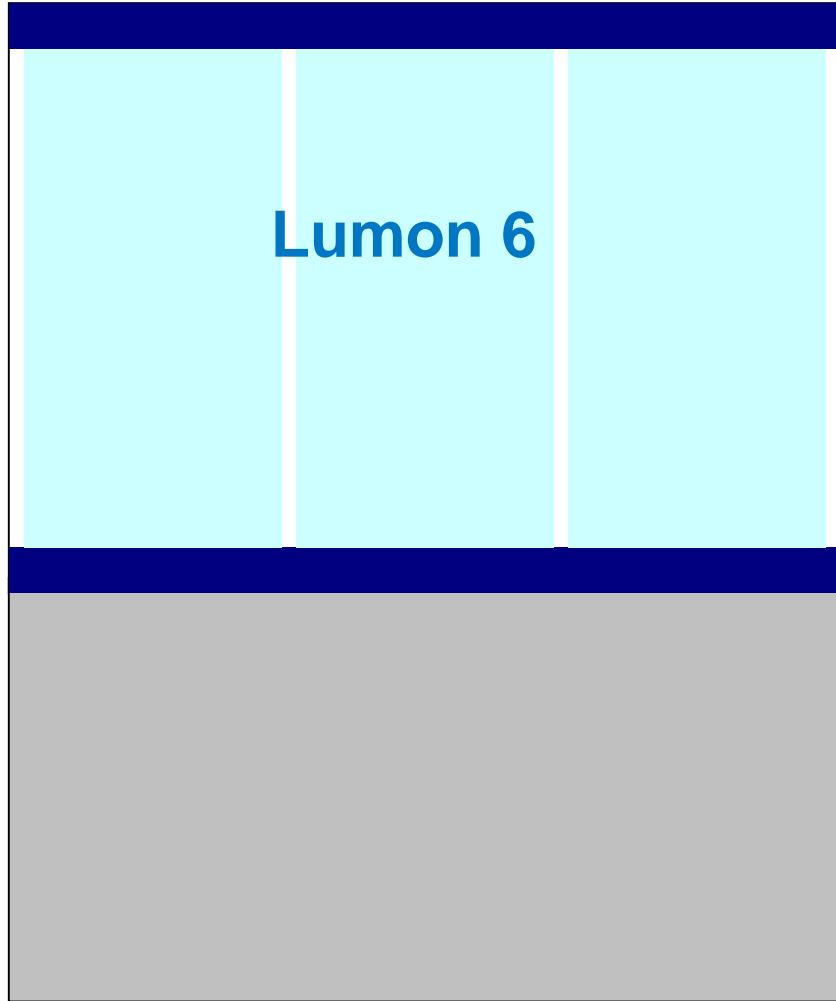


## Lumon 6 T

- For glass terraces, offices and restaurants
- For demanding conditions
- Corner bypass not possible for sides with one glass pane!
- Can be opened from inside and outside
- Locking of the handle
  - Lock / Lock
  - Lock / Opening handle

## Lumon 6 T





[www.lumon.com](http://www.lumon.com)

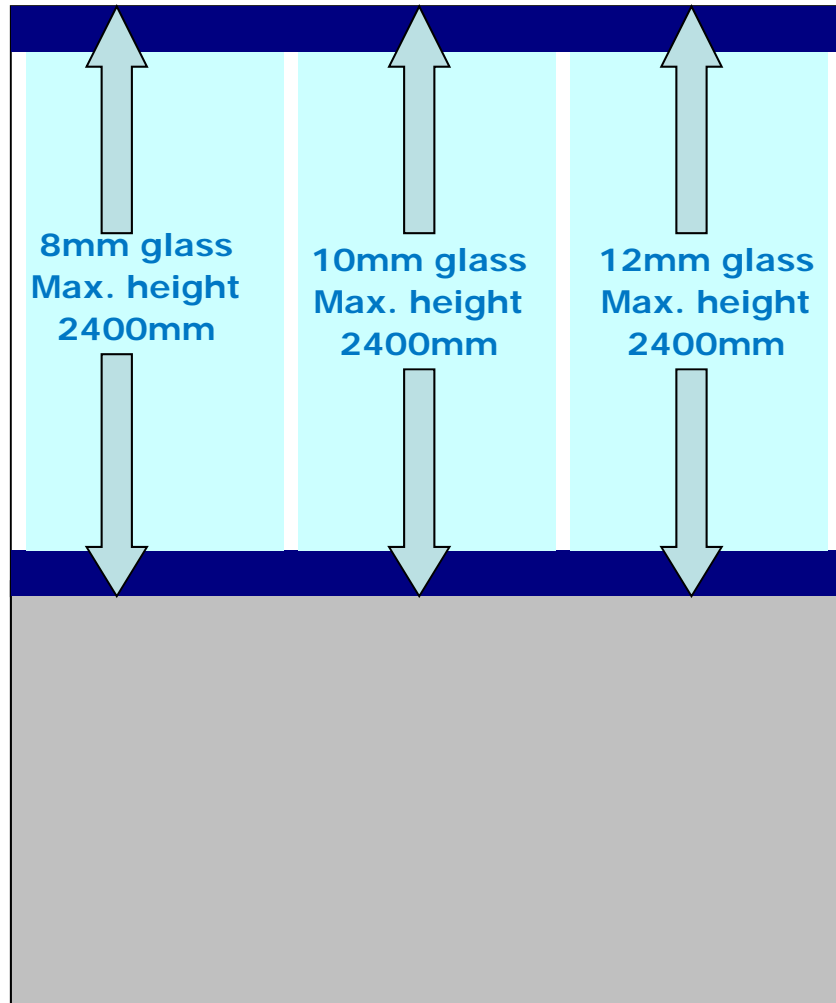


# Lumon 6 T



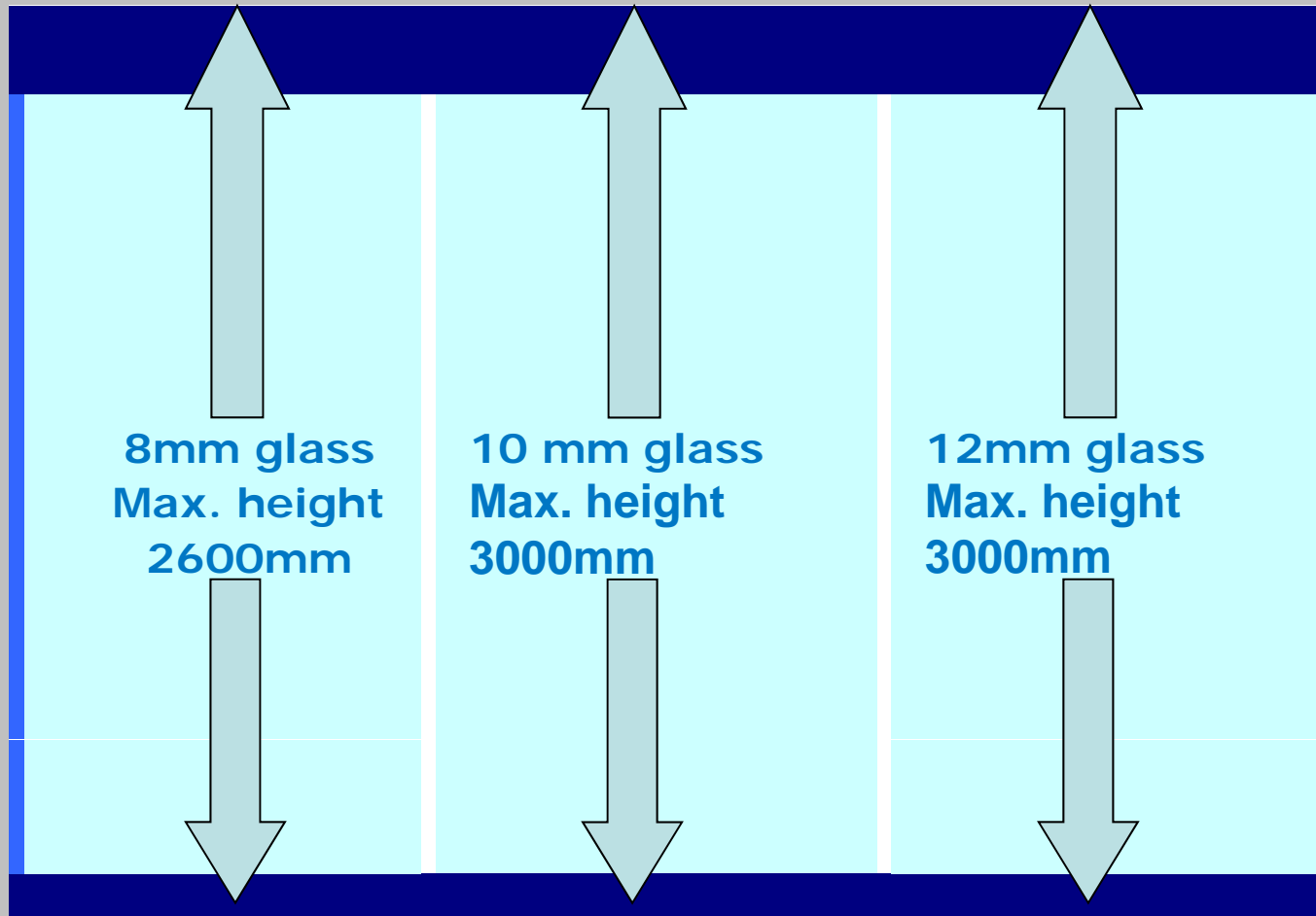
[www.lumon.com](http://www.lumon.com)

## Lumon 6, installation to the balustrade



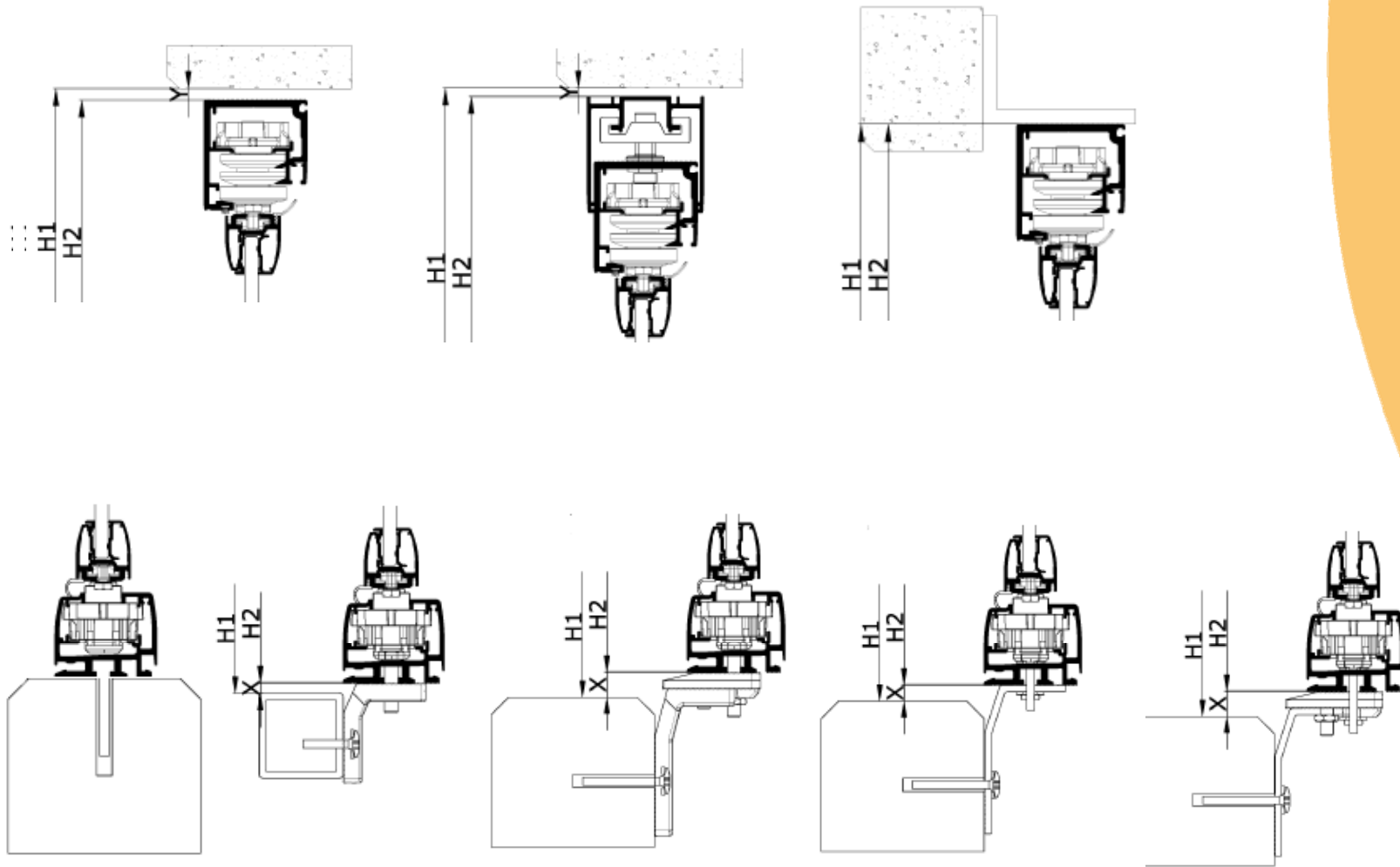


## Lumon6 or 6T with the latch for high pane

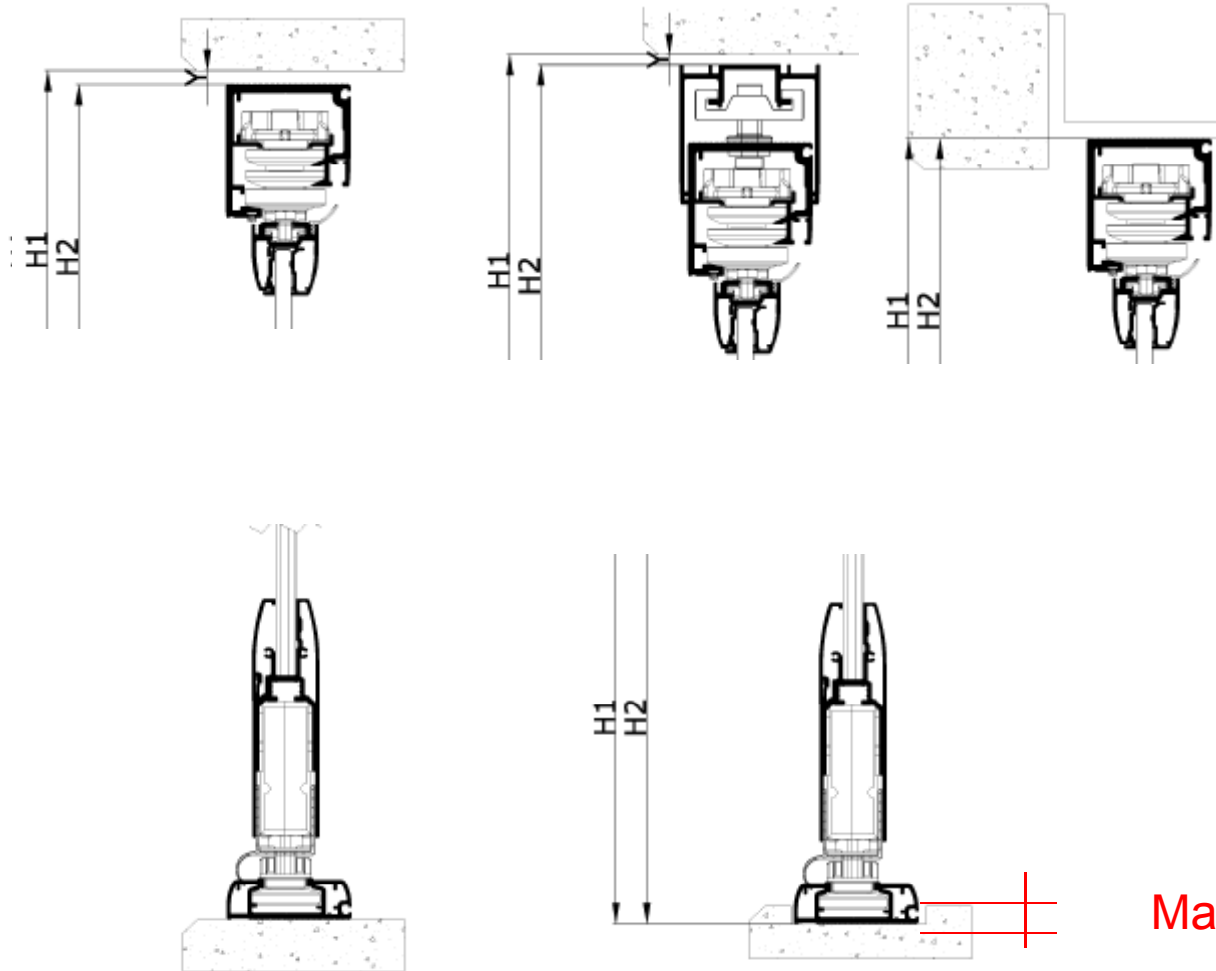


[www.lumon.com](http://www.lumon.com)

# Lumon 6 profile options and fastening methods

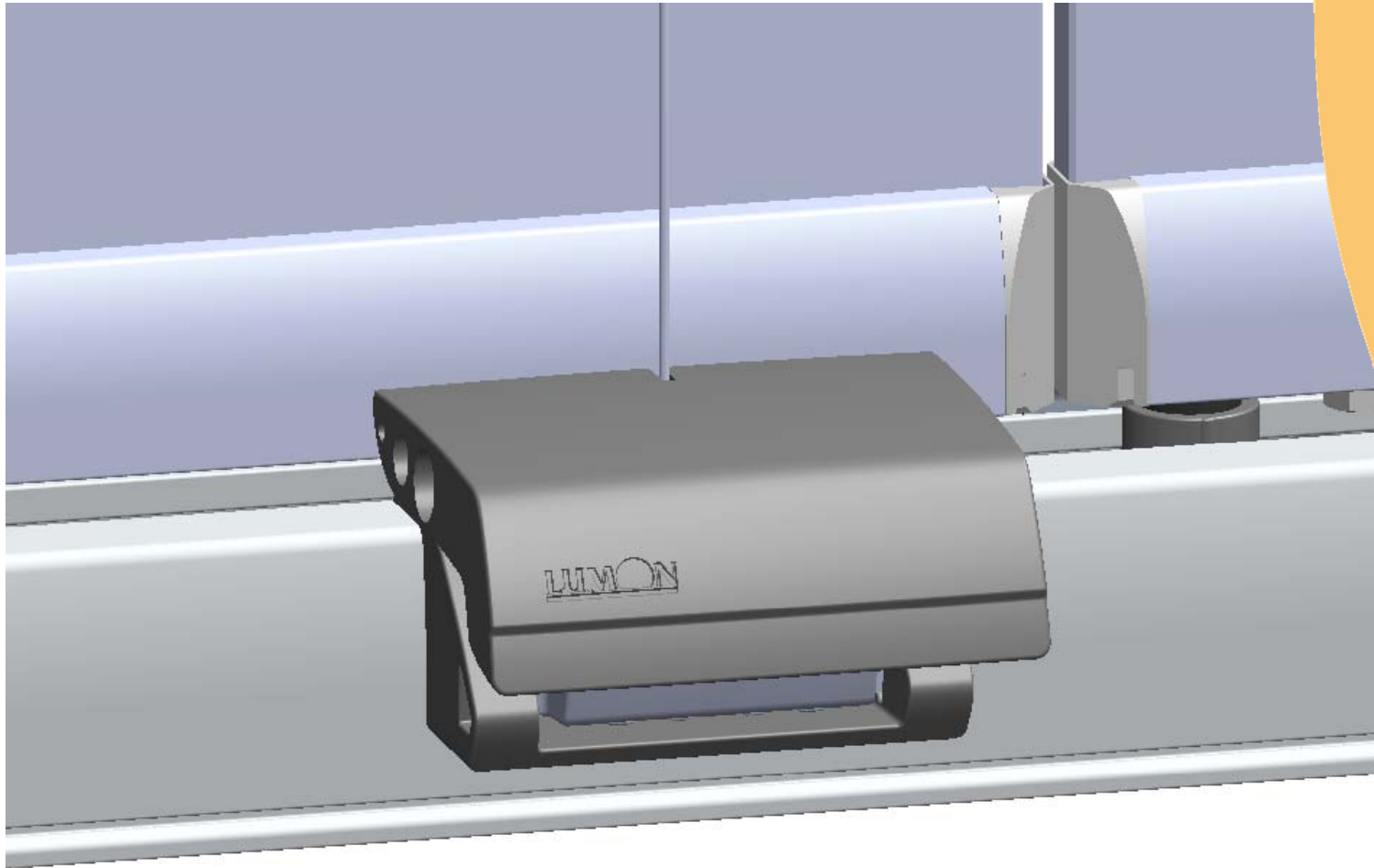


# 6T profile options and fastening methods



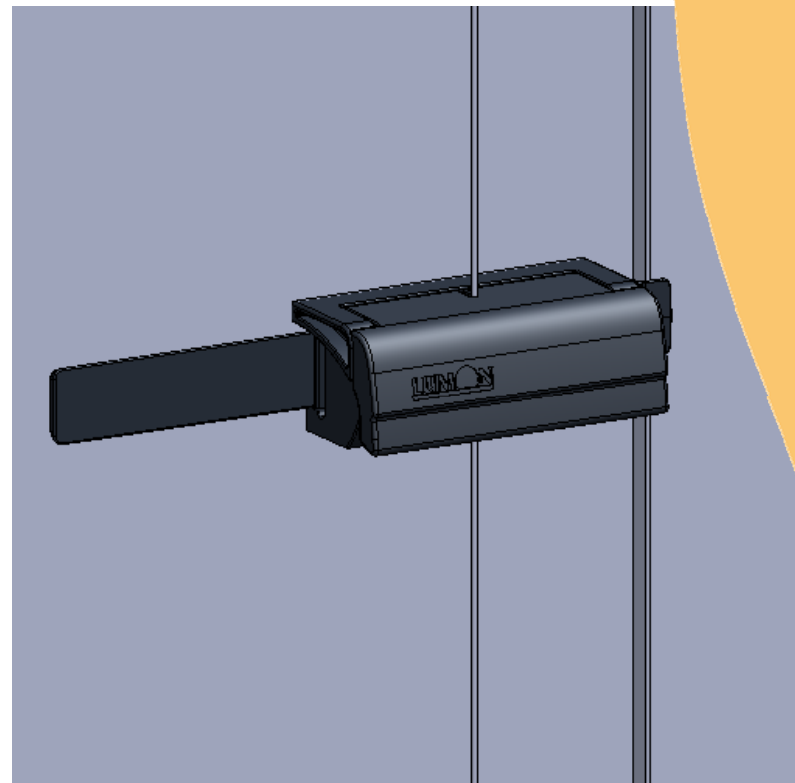
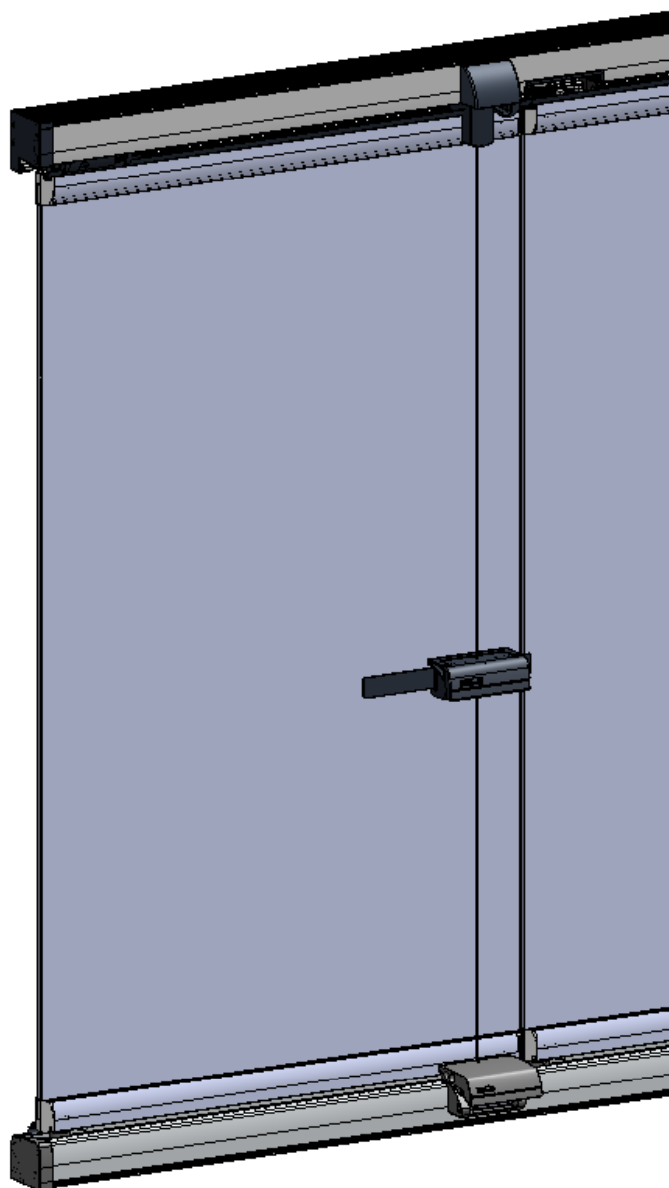
Max 15mm

## Lumon 6



[www.lumon.com](http://www.lumon.com)

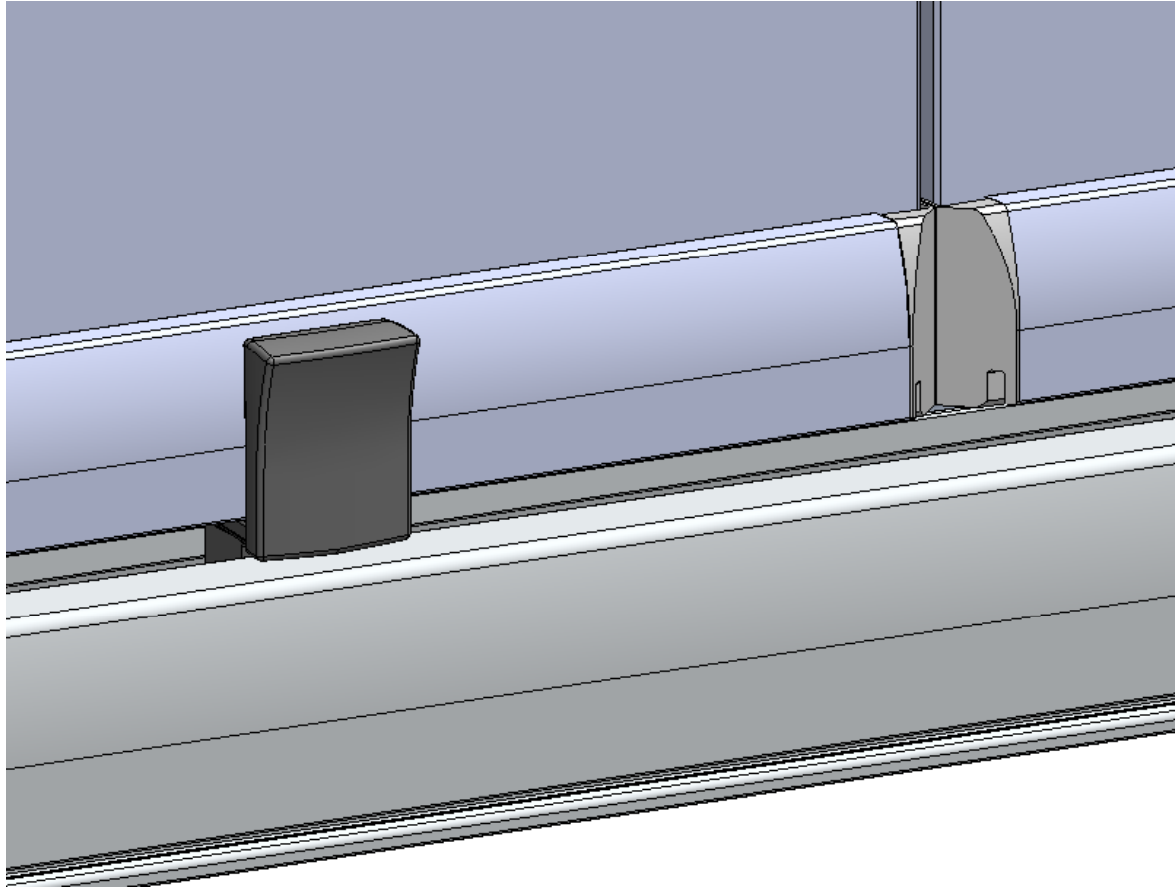
## Lumon 6 with the latch for high pane



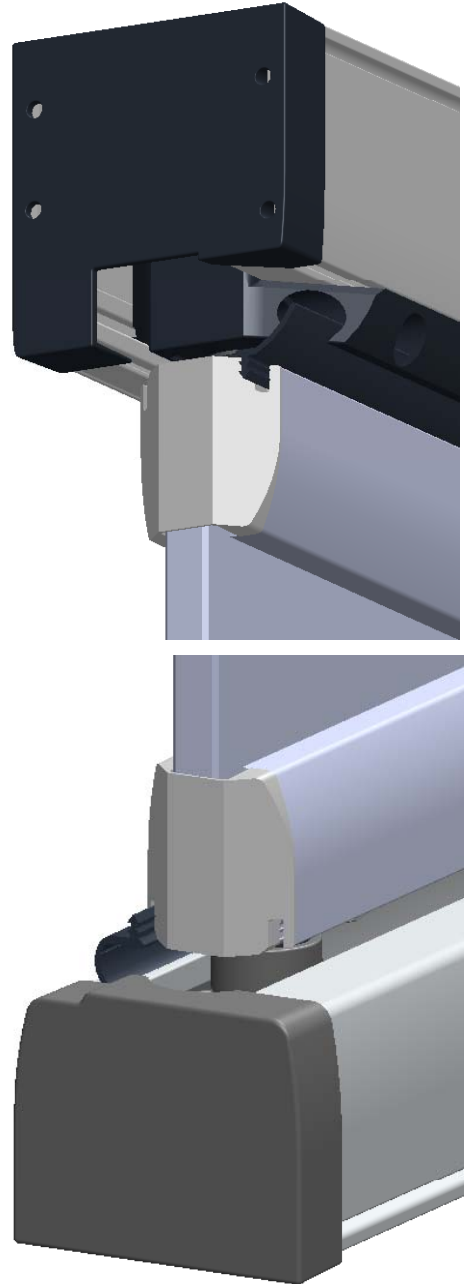
**LUMON**<sup>®</sup>

[www.lumon.com](http://www.lumon.com)

## Lumon 6

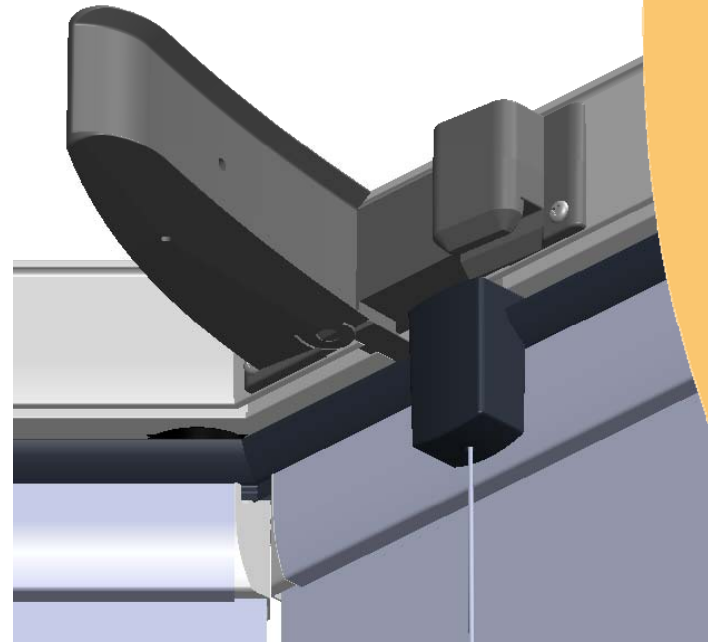


Lumon 6



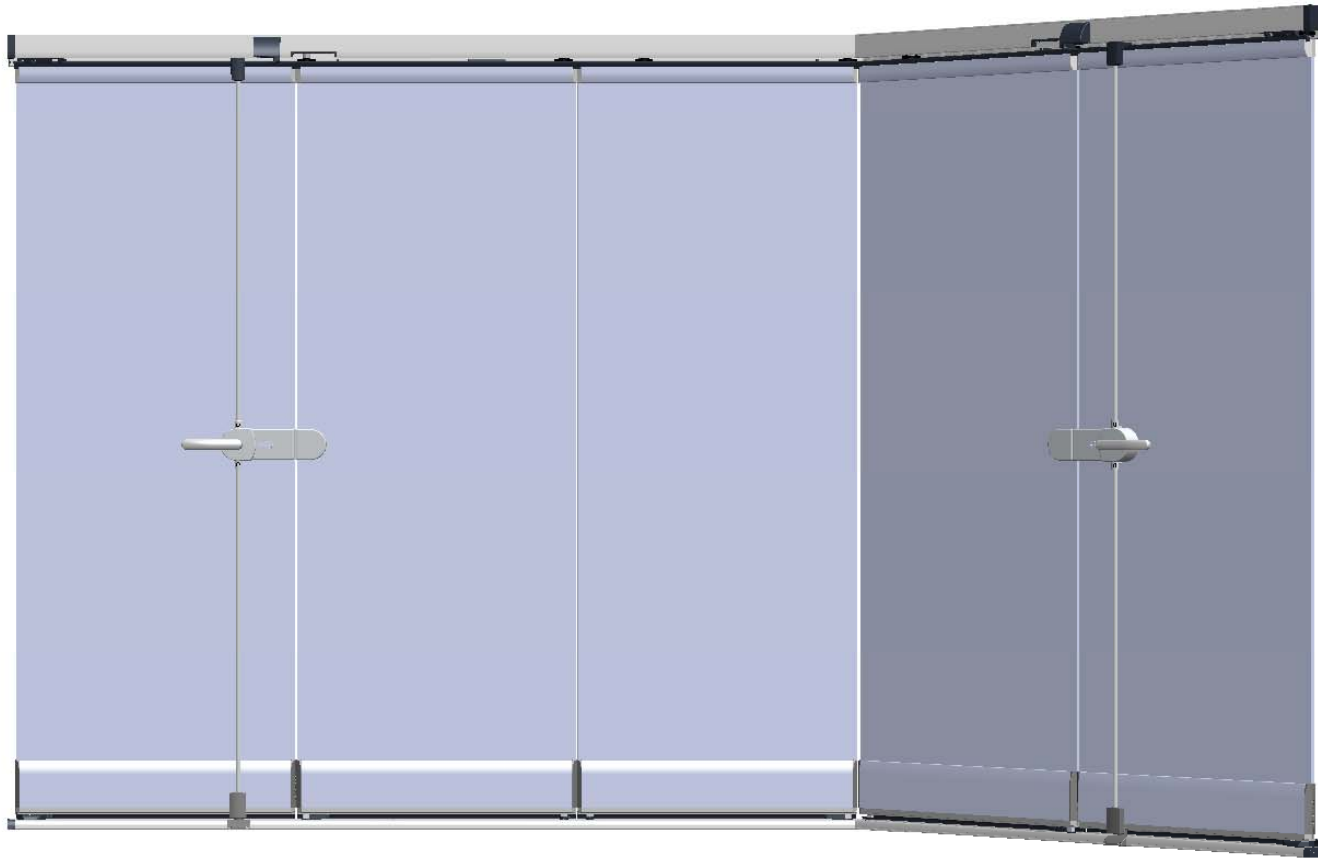
[www.lumon.com](http://www.lumon.com)

## Lumon 6 – corner bypass





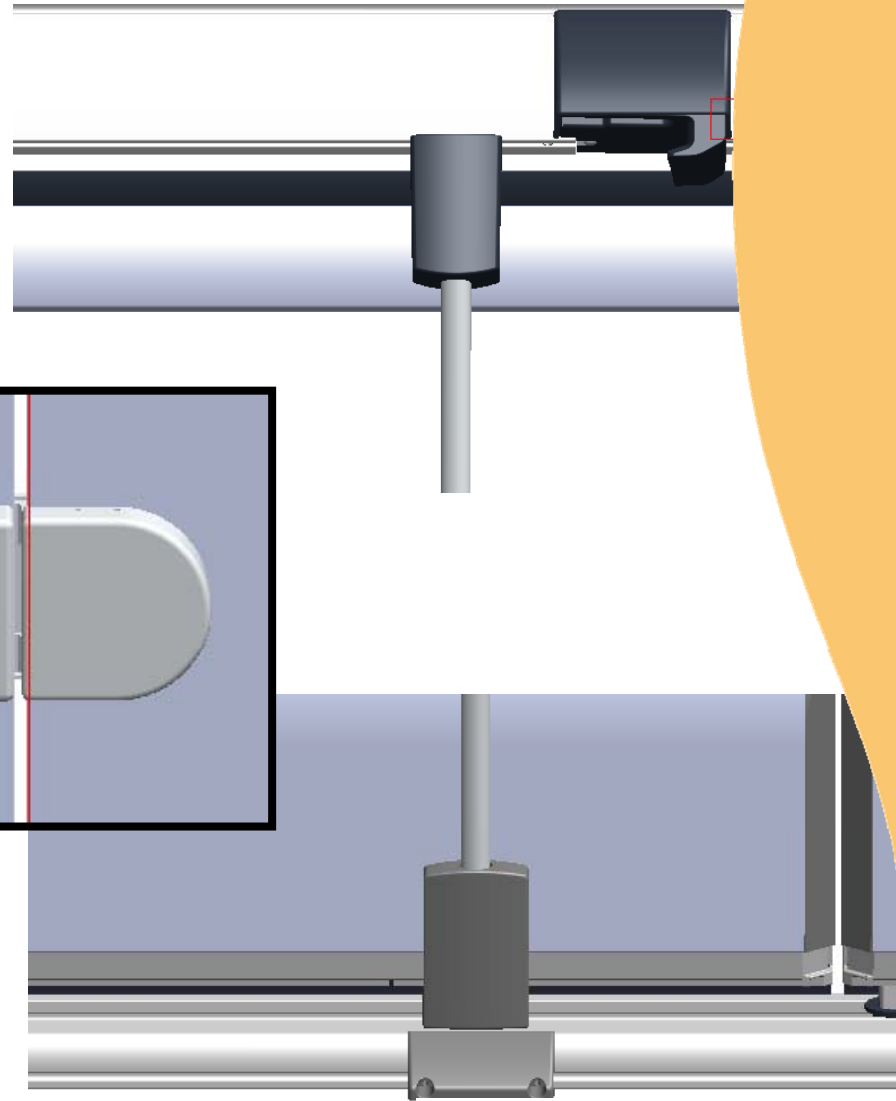
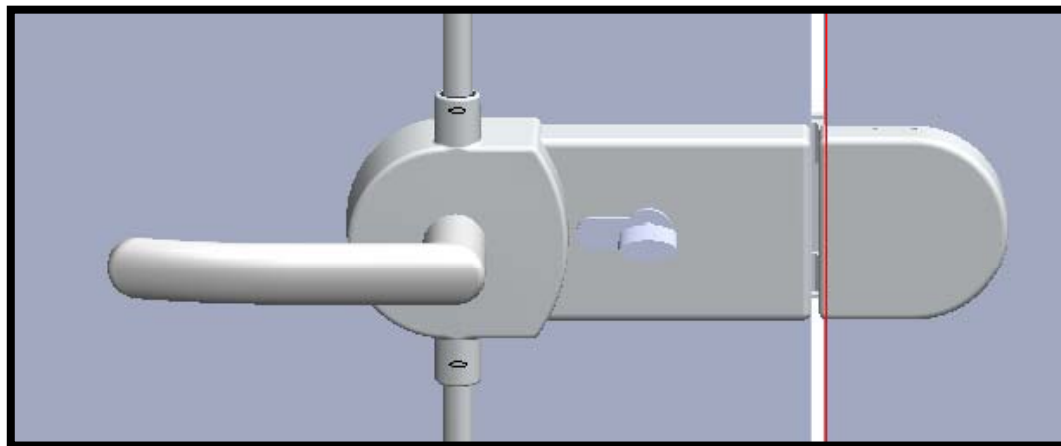
## Lumon 6 T



**LUMON**<sup>®</sup>

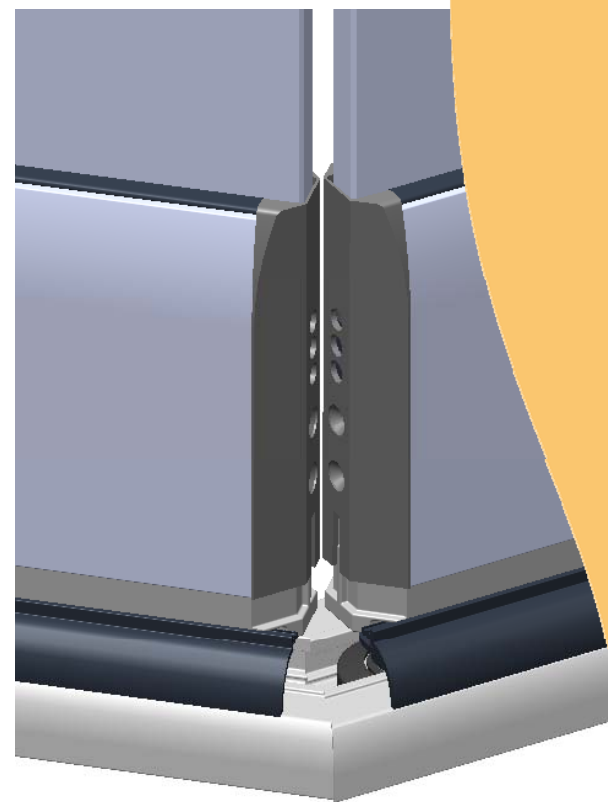
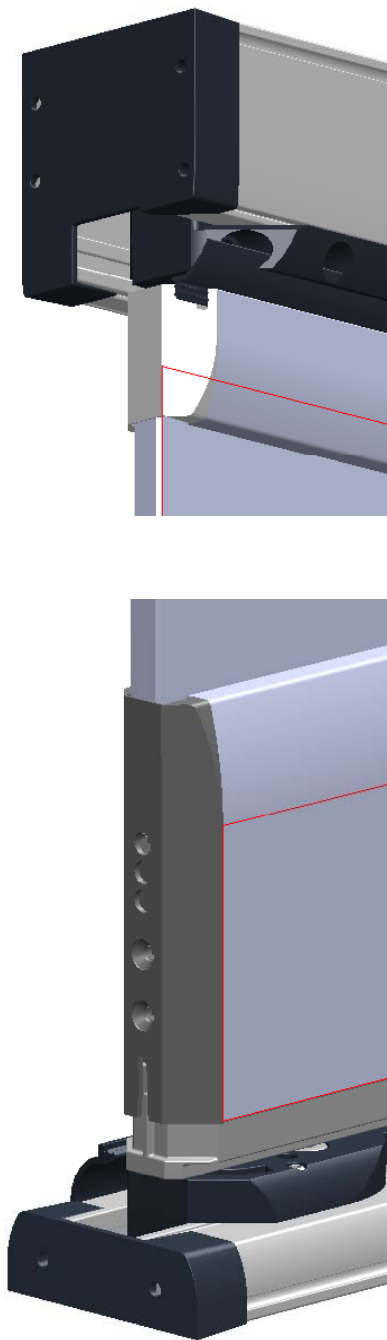
[www.lumon.com](http://www.lumon.com)

# Lumon 6 TG

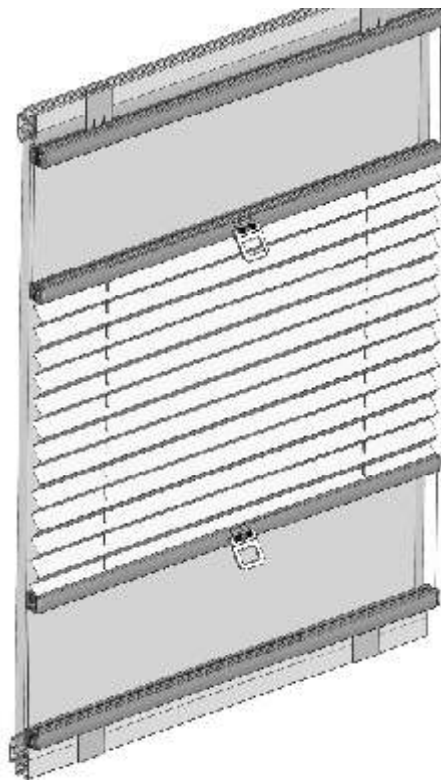
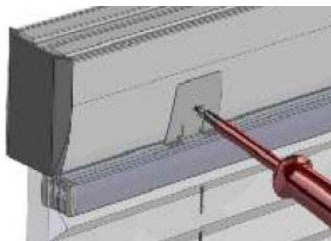


[www.lumon.com](http://www.lumon.com)

# Lumon 6 TG



[www.lumon.com](http://www.lumon.com)



[www.lumon.com](http://www.lumon.com)

## Opening regulations

- It is possible to open up to 9 glass panes on your right and left side
- Max. glass width is 1000 mm
- Max. glass width is 1200 mm, when only one glass pane per side
- Min. width for opening glass is 300 mm or 15 % of the glass height
- Min. width for fixed glass is 200 mm or 10 % of the glass height
- Max. Glazing height is 3000 mm



[www.lumon.com](http://www.lumon.com)

## Angles

- The angle between wall and glazing on the left hand side is called starting angle
- The angle between balcony sides is called system angle
- The angle between wall and glazing on the right hand side is called final angle
- The angle degree is measured from the inner side of the balcony
- If the balcony is divided by a pillar or some other structural element, the balcony glazing will be considered as two separate glazing systems
- The starting and final angles can be  $40 - 140^\circ$  viewed from the inside
- The opening angle of a glass pane can be  $80 - 150^\circ$
- The system angle can be  $80 - 280^\circ$



[www.lumon.com](http://www.lumon.com)

## Glazing systems with corner bypass

- Corner bypass is possible when the system angle is  $90 - 180^\circ$
- Even with corner bypass, there can be max. 9 glass panes bundled up in one opening end
- The extended follower is used in the sides to which the glasses slide across corner
- Corner bypass is possible also when there is only one glass per side



[www.lumon.com](http://www.lumon.com)

## **Sides with different height**

- Via tieTori it is possible to order glazing systems with sides that have different heights
- Corner bypass is not possible
- The profiles, which are installed at different level are cut straight
- When passing the order in tieTori, mark profiles, which encounter in the same level



[www.lumon.com](http://www.lumon.com)